

Staged Magnetic Compression of FRC Targets

Helion Energy, (Redmond, WA)



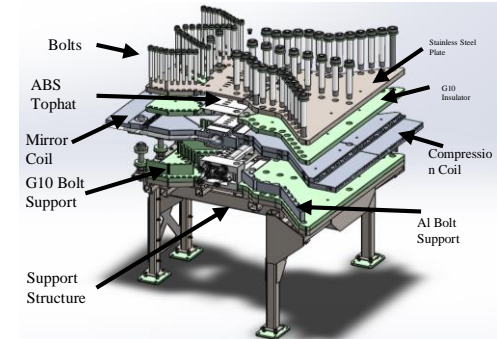
Project Overview

- Merge and compress FRC targets
- Develop high field drivers
- Increase scale and compression field of FRC compression beyond previous programs



Key Insights and Innovations

- Showed confinement scaling (micro) and macro stability all scale as expected
- Repetitive high field magnets are a challenge, but were developed and implemented



Accomplishments and ARPA-E Impact

- 8 Tesla Peak Fields
- D-D fusion neutrons
- Verified FRC Scaling
- 989 High energy FRC compression shots
- 7100 total shots
- < \$1/Joule per shot delivered driver energy

1 Patent

9 Presentations and Publications

Future Plans

- Larger scale and higher field systems
- Advanced fuels

